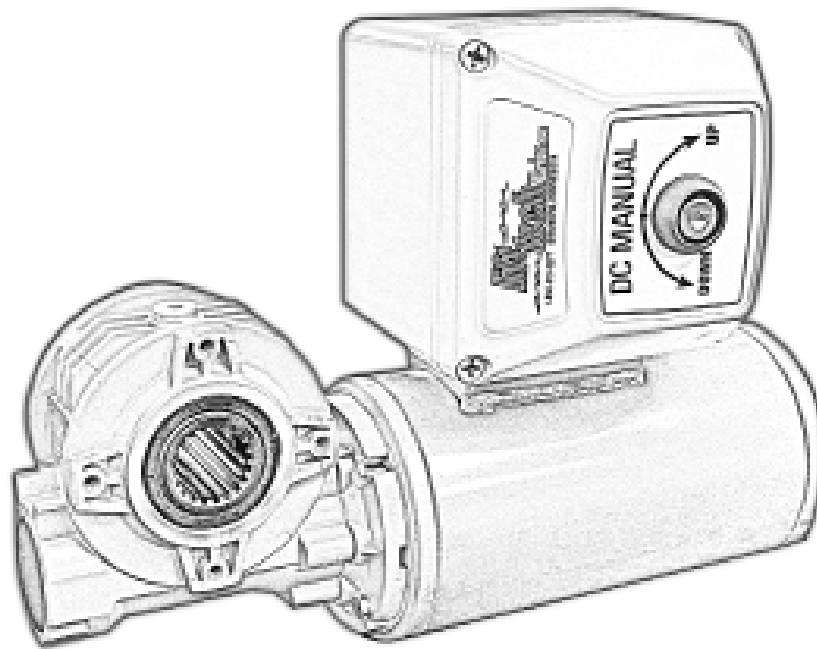


DC GEN 2 OWNERS MANUAL

lift *over*
tech *Marine*
218-454-0682



WWW.LIFTTECHMARINE.COM

Operating the DC Motor:

When the lift is going “up” the gear head should be going clockwise. When the lift is going “down” the gear head should be going counterclockwise. If it is going the opposite direction this means your lift was let down too far and now your lift is backwound. To fix this, let the lift down, when it runs out of cable it will wind itself up correctly and start going up. If you have a remote control and the lift is going down while pressing up or going up while pressing down this is the reason why. Please follow the steps above to fix it.

Pendant:

We offer an optional 15-foot or 20-foot pendant that can be purchased and plugged directly into your motor. Pendant works without the key.

Off-Season Storage:

We recommend our storage cover for your motor if you are going to leave it sit outside during the winter months. Our storage cover will breath and let moisture out while your not using your motor. Do not cover the unit with a bag or condensation can develop and the warranty will be void.

Power Outage:

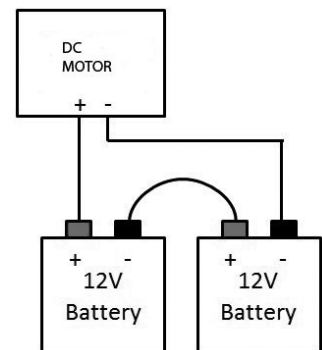
In case of a dead battery, use the provided back up bit on the end of the shaft with your drill. Visit our website to watch a video on how to use the back up bit.

Power Requirements:

Our DC Motors can be 12 volts or 24 volts.

If running 24 volts make sure to hook your batteries up in a series. (See image on right)

We recommend 24 or 27 series deep cycle batteries.



Maintenance:

Our motors are self-lubricating and do not need any maintenance.

Solar Panels will evaporate water so make sure to check water levels in the battery to prevent battery damage and possible battery explosion. We recommend all solar panels use a charge control to prevent over charging. They can be purchased separate.

Recommendation:

We always recommend unplugging the motor from power when not in use.

We would like to take this opportunity to say thank you. We value you as a customer. Should you ever have an issue please give us a call at 218-454-0682 or send us an email at customerservice@lifttechmarine.com





Warranty Registration

***All Warranty registrations must be filled out within 60 days of purchase along with a copy of the original receipt for the**

PRODUCT PURCHASED: AC IS PLUGGED IN TO EXTENSION CORD - DC IS BATTERY POWER.

AC-PWC KIT DC-PWC KIT

AC-WHEEL DRIVE DC-WHEEL DRIVE

AC MANUAL DC MANUAL AC REMOTE DC REMOTE AC AUTOSTOP DC AUTOSTOP

ALL IN ONE WINCHBOX

Serial Number located on the motor cylinder: _____

Purchase from: _____

Name: _____

Address: _____

Email: _____ Phone: _____

Lift Tech Marine warrants our motor from defects in materials and workmanship under normal use for a period of 2 years from the date of purchase. During the warranty period, Lift Tech Marine will repair the motor if defective. The warranty does not include labor or shipping to us. The warranty is limited to the original purchaser and is not transferable. Warranty is void if the product is modified or altered. Blue Remote controls have a 1 year warranty and do not include the batteries.

Email this form and your receipt to :
customerservice@lifttechmarine.com

Or mail to:
Lift Tech Marine
7958 Hastings Road
Baxter, MN 56425

ONLINE REGISTRATION

Scan the QR code to register the warranty online.

***WANT ADDED PROTECTION?
HARD COVER AVAILABLE***

***OPTIONAL STORAGE COVER
AVAILABLE***

