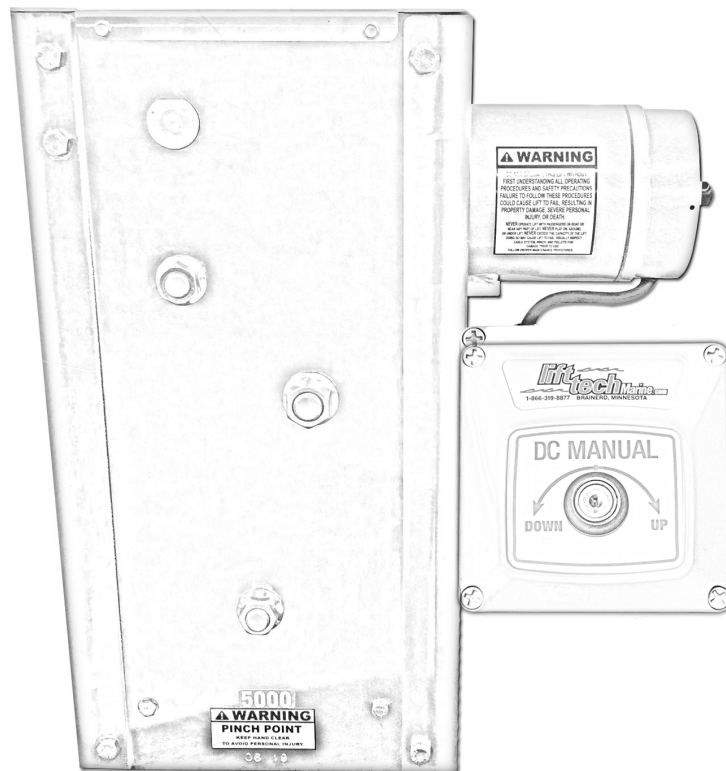


DC MANUAL GEN2 WINCH BOX OWNERS MANUAL

lift *tech* Marine
218-454-0682



WWW.LIFTTTECHMARINE.COM

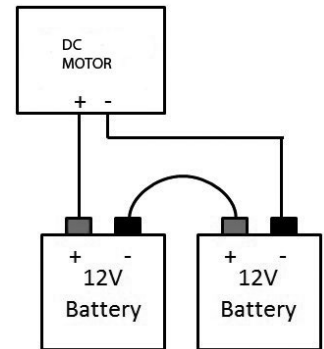
Operating the DC Motor:

Use the key to go up or down. Make sure to wait 1-2 seconds before changing directions so the relays have time to click out.

Power Requirements:

Our DC Motors can be 12 volts or 24 volts.

If running 24 volts make sure to hook your batteries up in a series. (See image on right) We recommend 24 or 27 series deep cycle batteries. **Always disconnect power when lift is left unattended.**



Power Outage:

In case of a power outage, use the provided back up bit (see image below) on the end of the shaft with your drill. Visit our website to watch a video on how to use the back up bit.

Maintenance:

Our motors are self-lubricating and do not need any maintenance. Solar Panels will evaporate water so make sure to check water levels in the battery to prevent battery damage and possible battery explosion. We recommend all solar panels use a charge regulator to prevent over charging.

Troubleshooting:

Always start by unplugging the unit for 2 minutes. This will allow the circuit board to reset. Go to liftechmarine.com for more information, troubleshooting and how to videos.

Pendant:

We offer an optional 20-foot pendant that can be purchased and plugged directly into your motor. Pendant works without the key.

Off-Season Storage:

Do not cover the motor in a plastic bag over the off season—it traps condensation and voids the warranty.

Website:

Go to www.liftechmarine.com for more information, troubleshooting and how to videos.



Warranty Registration

*All Warranty registrations must be filled out within 60 days of purchase along with a copy of the original receipt for the warranty to be valid.



PRODUCT PURCHASED: AC IS PLUGGED IN TO EXTENSION CORD - DC IS BATTERY POWER.

AC MANUAL ALL IN ONE WINCHBOX

DC MANUAL ALL IN ONE WINCHBOX

AC REMOTE ALL IN ONE WINCHBOX

DC REMOTE ALL IN ONE WINCHBOX

AC AUTOSTOP ALL IN ONE WINCHBOX

DC AUTOSTOP ALL IN ONE WINCHBOX

Serial Number located on the motor cylinder: _____

Purchase from: _____

Name: _____

Address: _____

Email: _____ Phone: _____

Lift Tech Marine warrants our motor and winch from defects in materials and workmanship under normal use for a period of 2 years from the date of purchase. During the warranty period, Lift Tech Marine will repair the motor or winch if defective. The warranty does not include labor or shipping to us. The warranty is limited to the original purchaser and is not transferable. Warranty is void if the product is modified or altered.

Email this form and your receipt to :
customerservice@lifftechmarine.com

Or mail to:
Lift Tech Marine
7958 Hastings Road
Baxter, MN 56425

Visit our website to explore optional accessories.

www.lifftechmarine.com

ONLINE REGISTRATION

Scan the QR code to register the warranty online.

